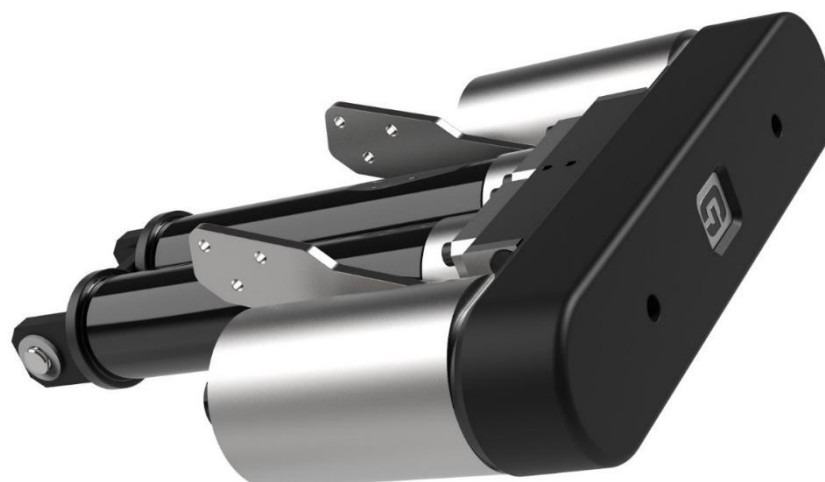
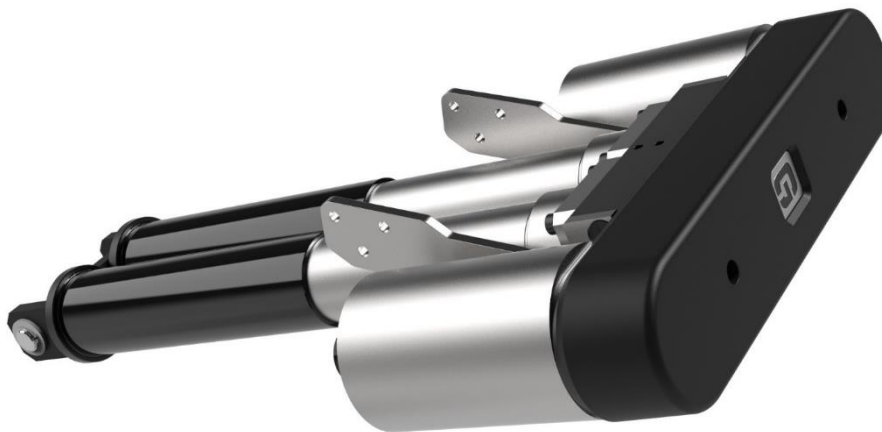


Brake actuator module fact sheet (BA)

Key features:

- Redundant actuator for braking, to be mounted on the brake pedal shaft
- Small, invisible mounting
- Brake bracket set available for a wide range of cars
- Pusher only, conventional braking by (safety) driver is always possible
- Integrated high resolution encoder
- Designed to fulfil ECE R 13H
- Control mode based on stroke
or
- brake pressure (redundant sensors needed to be mounted on the hoses)

All engineered and produced in Switzerland → Swiss made.



Technical Data of BA (with Motor control Module):

- Operates on 24V
- Operating temperature -20 to + 80 °C
- IP Class IP40
- Stroke 100 mm
- Speed ~200mm/sec
- Max actuator Force 2000N
- Max Power consumption tbd
- Resolution (stroke based) tbd
- Life time 250'000 km or 5000 h

Motor control Module MC for above performance:



Two MC Modules needed, one for each motor

Technical Data of MC:

- Operation with SafeRTOS real-time operating System
- Operates on 24V
- Operating temperature -40 to + 85 °C
- IP Class IP40
- Commutation CANopen Standard
- Connector Deutsch DT series
- Size 131 x 82 x 36 mm
- EMC compliance ECE-R 10 (test outstanding)