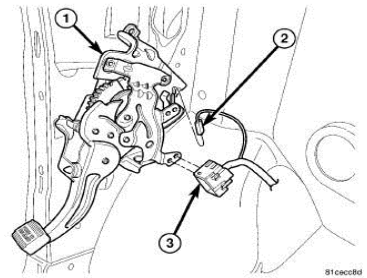
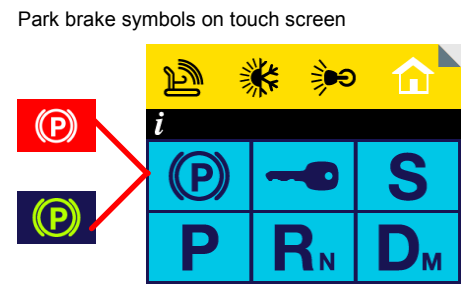
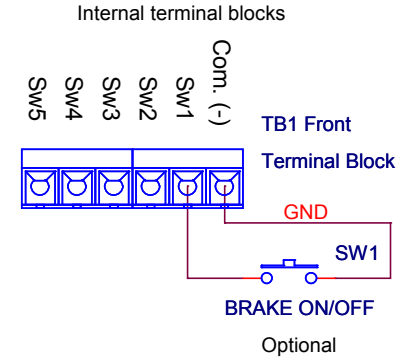
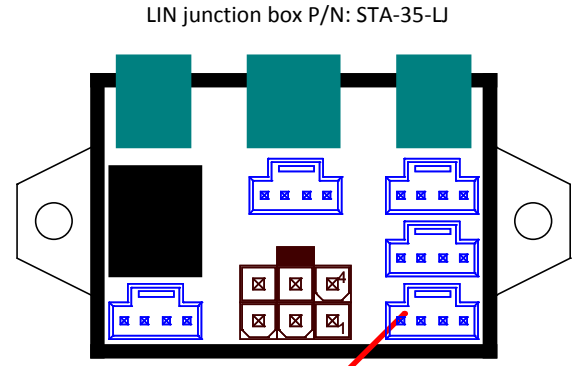
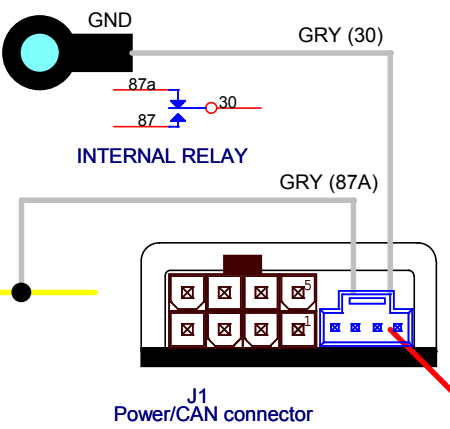
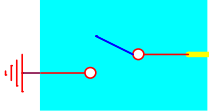


IDENTIFYING THE PARK BRAKE SWITCH



Note:
 The Park Brake Indication is a relay.
 The relay can pass Positive or Negative up to 5A.

(BASE OF PARKING BRAKE PEDAL ASSEMBLY) PARKING BRAKE SWITCH



Key Features:

- Press and Hold to apply/ Release the brake.
- Minimum wiring.
- While the vehicle in move, the park brake switch is immediately apply and release.
- No Ignition switch dependent.

© 2017 R.A.SH Tronics Ltd. All rights reserved. Reproduction by any means, electronic, graphics (GUI) or mechanical, including photocopying, recording or by any information storage and retrieval system or translation in whole or part is NOT PERMITTED without written authorization from R.A.SH Tronics Ltd IL.

R.A.SH Tronics Ltd
 (T) +972-48517656
 (F) +972-48523339
rashtronix@gmail.com
 Tuesday, November 21, 2017

Honda Odyssey Park Brake Wiring			
Size A4	CAGE Code 059-957-746	DWG NO PB-1LC	Rev A
Scale	SW: PB-1LC.hex	Sheet 2	of 3